

# Sankosha – New Techniques Complimenting Design Options *Your Machines for Contemporary Shirts*



**LP-560**  
Single-buck Shirt Press



**LP-660**  
Single Collar/Cuff Press

## ■ Affordable World Standard

Top quality finish of shirts with affordability

## ■ Hybrid Finishing System

Shirt body will be finished by press head in front and hot air in rear (Press option available)

## ■ Slim Sized Body

Excellent finish for slim shirts with new fabric cover design (heat/shrink/stretch resistant)

## ■ Large Yoke Press

Newly developed press surface for optimum result

## ■ User-Friendly Operations

Ease of use, yet quality finish with further options available

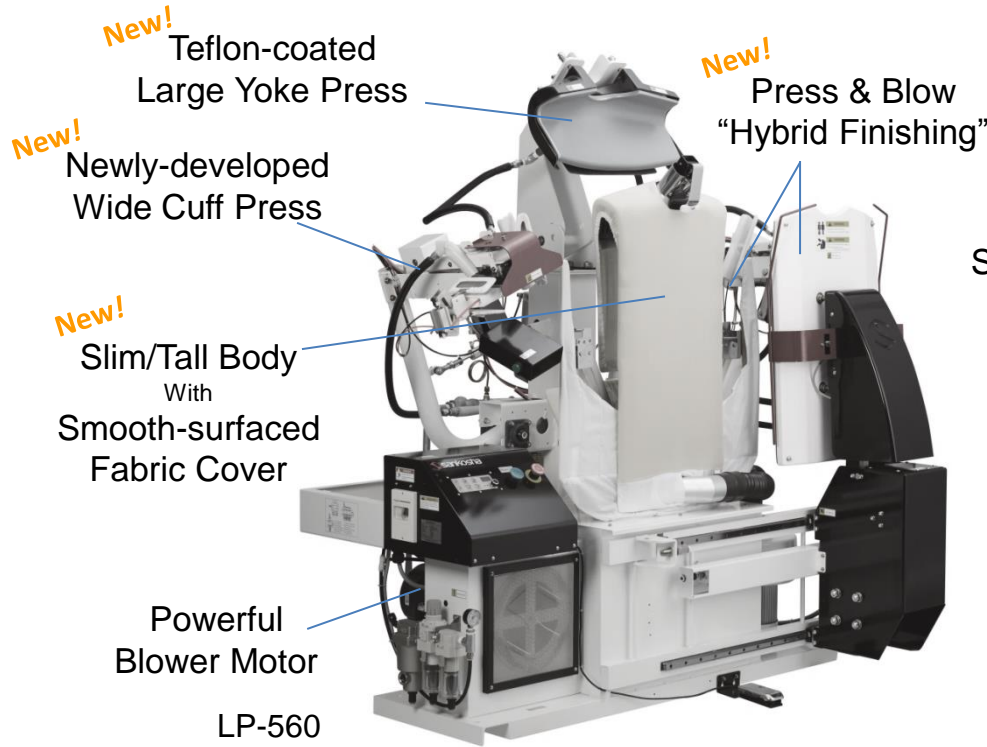
<http://www.sankosha-mfg.com>

Visit our web site for valuable Information  
for your business expansion.

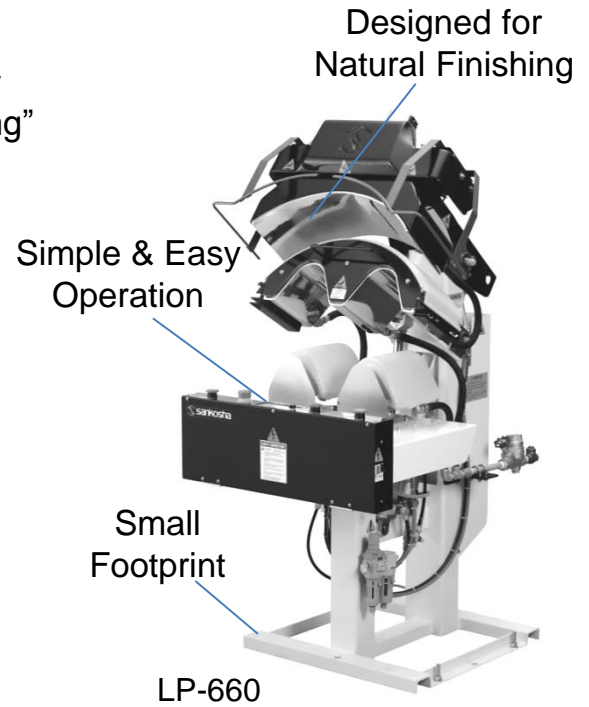


SANKOSHA MANUFACTURING CO., LTD.  
988 Kanoya, Hachioji, Tokyo 193-0815, Japan  
Tel: +81 42 621 1182 Fax: +81 42 620 0751

# LP560 / LP660 Valued Features



**New!** Press & Blow "Hybrid Finishing"



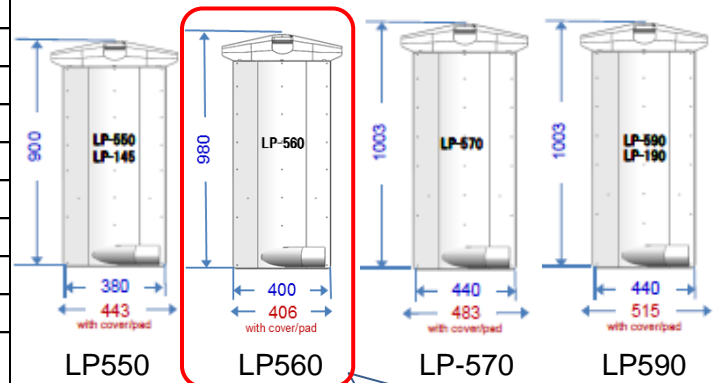
## Highest Quality Safety Ratings

### Specifications

Model		LP-560E	LP-660E-V2
Power Requirement		3 phase 400V 50Hz	Single phase 230V
Power Consumption		1.6 kW	0.03 kW
Air	Air Pressure	0.6 MPa	0.6 MPa
	Air Consumption	43.2 litre / cycle	18 litre / cycle
	Air Pipe	3/8"	3/8"
Steam	Steam Pressure	0.6 MPa	0.6 MPa
	Steam Consumption	45 kg / h	10 kg / h
	Steam Pipe	In 3/4", Out 1/2" x3	1/2"
Net Weight		475 kg	200 kg
Dimensions W x D x H (mm)		1920 x 1170 x 1890	730 x 1000 x 1620
Installation Dimensions (mm)			

Features and specifications are subject to change without notice.

### Body Buck Size Comparison



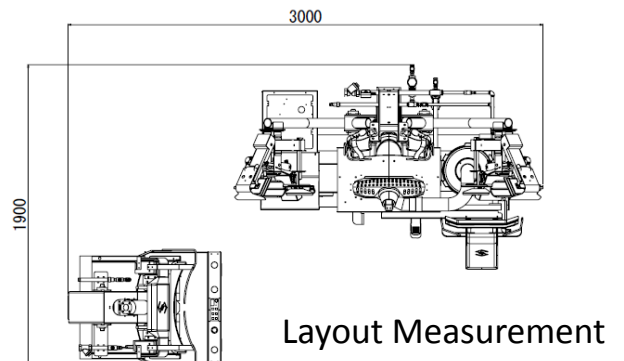
Good for slim-fit shirts

### Option



#### Dual Temperature System

For reducing temperature of press heads to minimize Shrinkage keeping hot air temperature high..



Distributed by: